

Emergency Rescue Platforms



Safe. Efficient. Strong.

“The Boscaro man basket was the easy choice based on their quality and safety”

*Ed Hawthorne, Safety Manager
Walsh/PCL - Pearl Harbor Memorial Bridge Project*

RUGGED CONSTRUCTION and compliance with engineering standards are the benchmarks of all Boscaro equipment. Utilizing 30+ years of industry knowledge, Boscaro is one of the world’s leading manufacturers of crane attachments and material handling equipment.

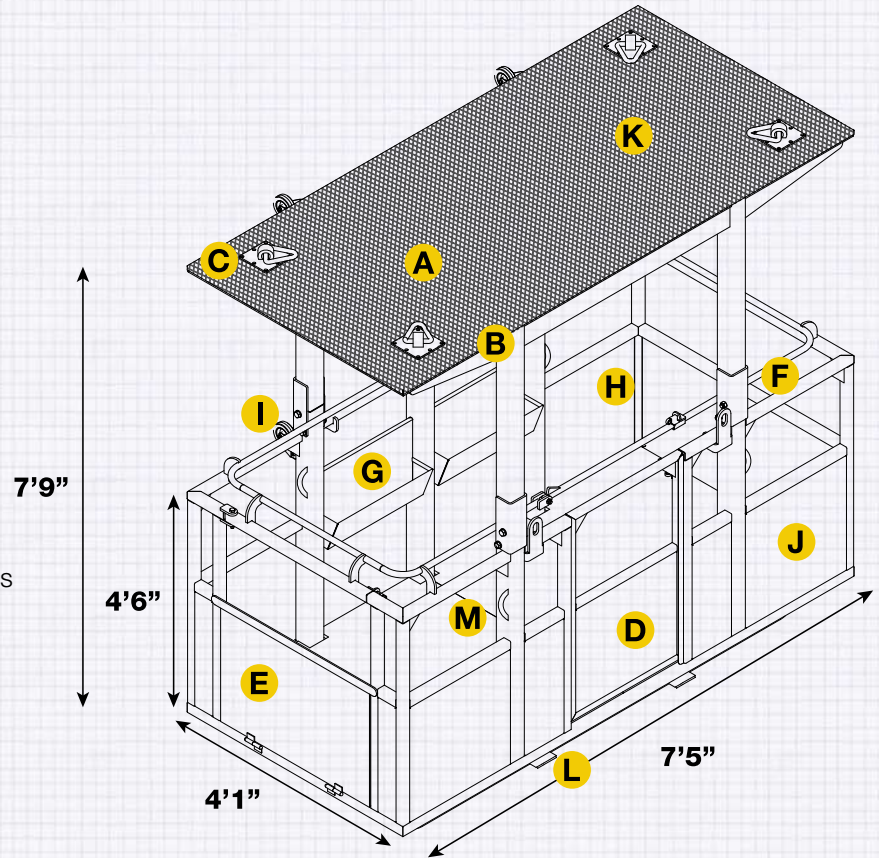
SPECIFICATIONS

- EZ™ Test Weight System for quick test weight set-up and removal
- Built to meet and/or exceed all OSHA, ASME & CSA requirements
- Tested to 9x the legal requirement
- Multiple patents pending

BOSCARO EMERGENCY RESCUE PLATFORMS

STANDARD OPTIONS

- A. Removable roof for all rescue scenarios
- B. 5 upper safety connection lanyard points
- C. 4 upper & 4 lower rigging points
- D. Locking entrance gate
- E. Side ramp for stretcher access
- F. 43.5" high safety guard railing
- G. Dual 24" rescue equipment storage cribs
- H. 24" lower enclosure prevents tools from falling
- I. Swivel rollers allows safe transfer up & down walls
- J. Top grade steel construction
- K. Durable powder coated finish
- L. The EZ™ Test Weight System
- M. 4 lower safety connection lanyard points



SAFETY PACKAGES



The Gold Rescue Package is our highest range package and includes everything in the Silver Package plus additional safety and rescue equipment such as 2-way radios & a defibrillator.



The Silver Rescue Package is our mid-range package and includes features such as a stretcher, level 2 first aid kit, blankets, oxygen tanks and other rescue/safety equipment.



The Bronze Rescue Package is our entry level package and includes features such as a stretcher, level 1 first aid kit, blankets, and other basic rescue/safety equipment.

CALL TO DESIGN YOUR PERFECT SAFETY PACKAGE 1-877-852-2192

Boscaro Equipment?

✓ Designed for safety

✓ Solid construction

✓ Built to save lives

Boscaro equipment is distributed exclusively through the Eagle West Equipment dealer network.

Call 1-877-852-2192 for immediate support.

WWW.EAGLEWESTEQUIPMENT.COM