

Concrete Buckets Model BCF



Safe. Efficient. Strong.

“The best money we’ve ever spent on crane accessories”

Mike Dawson VP Specialty Crane & Rigging

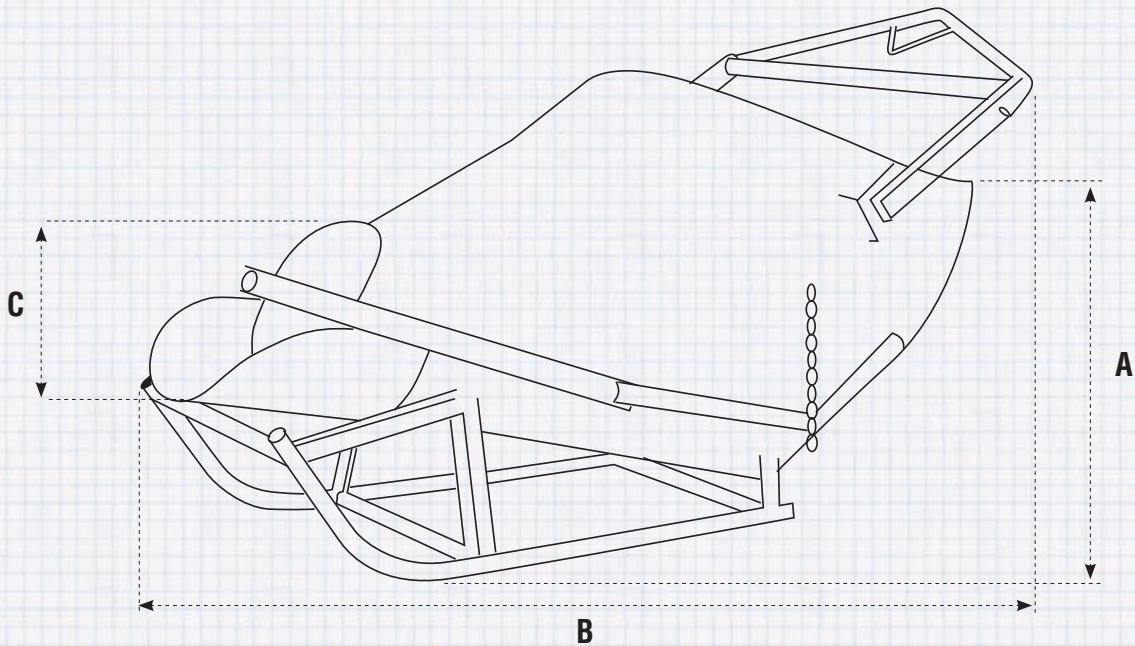
RUGGED CONSTRUCTION and compliance with engineering standards are the benchmarks of all Boscaro equipment. Utilizing 30+ years of industry knowledge, Boscaro is one of the world’s leading manufacturers of industrial equipment.

SPECIFICATIONS

- 5 sizes to choose from
- Lever operated discharge
- Meets or exceeds all ASME standards
- Durable powder-coated finish
- Tested for safety, strength, and longevity
- 100% welded steel construction

BOSCARO CONCRETE BUCKETS

MODEL BCF



DIMENSIONS							
	MODEL	CAPACITY	A	B	C	CAPACITY	WEIGHT
1	BCF-30	0.40 yd	2'6"	5'1"	1'2"	1,455 lb	245 lb
2	BCF-40	0.50 yd	2'7"	5'9"	1'4"	1,940 lb	375 lb
3	BCF-50	0.65 yd	2'9"	6'3"	1'4"	2,425 lb	440 lb
4	BCF-80	1.05 yd	3'1"	6'7"	1'6"	3,880 lb	730 lb
5	BCF-99	1.30 yd	3'3"	7'7"	1'6"	4,850 lb	880 lb

Boscaro Equipment?

✓ Designed for safety

✓ Solid construction

✓ Highly competitive

Boscaro equipment is distributed exclusively through the Eagle West Equipment dealer network.

Call 1-877-852-2192 for immediate support.

WWW.EAGLEWESTEQUIPMENT.COM