

Crane Forks

Model MBA-A



Safe. Efficient. Strong.

“The best money we’ve ever spent on crane accessories”

Mike Dawson VP Specialty Crane & Rigging

RUGGED CONSTRUCTION and compliance with engineering standards are the benchmarks of all Boscaro equipment. Utilizing 30+ years of industry knowledge, Boscaro is one of the world’s leading manufacturers of industrial equipment.

SPECIFICATIONS

- 6 sizes to choose from
- Easy adjustment for opening to desired width
- Meets or exceeds all ASME standards
- Automatically adjusts for different weights carried
- Tested for safety, strength, and longevity
- 100% welded steel construction

BOSCARO CRANE FORKS

MODEL MBA-A

KEY FEATURES

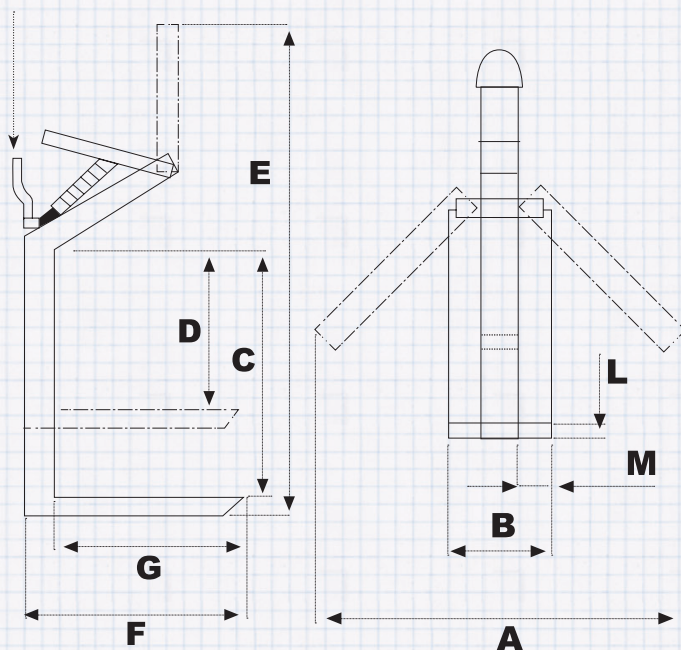
Designed and manufactured with high quality steel to ensure complete safety compliance.

Meets or exceeds all ASME standards.

Easy adjustment for opening to desired width.

Closing lock is operated with a handwheel.

Automatically adjusts to compensate for different weights carried



	MODEL	CAPACITY	DIMENSIONS								WEIGHT	
			A	B	C	D	E	F	G	L		M
1	MBA-06A	1,320 lb	5'3"	1'1"	4'3"	3'11"	7'9"	3'7"	3'3"	0'1"	0'3"	210 lb
2	MBA-10A	2,205 lb	5'3"	1'1"	4'3"	3'11"	7'9"	3'7"	3'3"	0'1"	0'4"	265 lb
3	MBA-15A	3,310 lb	5'3"	1'1"	4'3"	3'11"	7'9"	3'7"	3'3"	0'1"	0'4"	290 lb
4	MBA-20A	4,410 lb	5'3"	1'1"	4'3"	3'11"	7'9"	3'7"	3'3"	0'1"	0'4"	330 lb
5	MBA-25A	5,510 lb	5'3"	1'3"	4'3"	3'11"	7'5"	3'7"	3'3"	0'1"	0'5"	375 lb
6	MBA-30A	6,615 lb	5'3"	1'3"	4'3"	3'11"	7'5"	3'7"	3'3"	0'1"	0'5"	385 lb

Boscaro Equipment?

✓ Designed for safety

✓ Solid construction

✓ Highly competitive

Boscaro equipment is distributed exclusively through the Eagle West Equipment dealer network.

Call 1-877-852-2192 for immediate support.

WWW.EAGLEWESTEQUIPMENT.COM