

Crane Forks

Model MBRA-E



Safe. Efficient. Strong.

“The best money we’ve ever spent on crane accessories”

Mike Dawson VP Specialty Crane & Rigging

RUGGED CONSTRUCTION and compliance with engineering standards are the benchmarks of all Boscaro equipment. Utilizing 30+ years of industry knowledge, Boscaro is one of the world’s leading manufacturers of industrial equipment.

SPECIFICATIONS

- 2 sizes to choose from
- Easy telescopic height and width adjustment
- Meets or exceeds all ASME standards
- Durable powder-coated finish
- Tested for safety, strength, and longevity
- 100% welded steel construction

BOSCARO CRANE FORKS

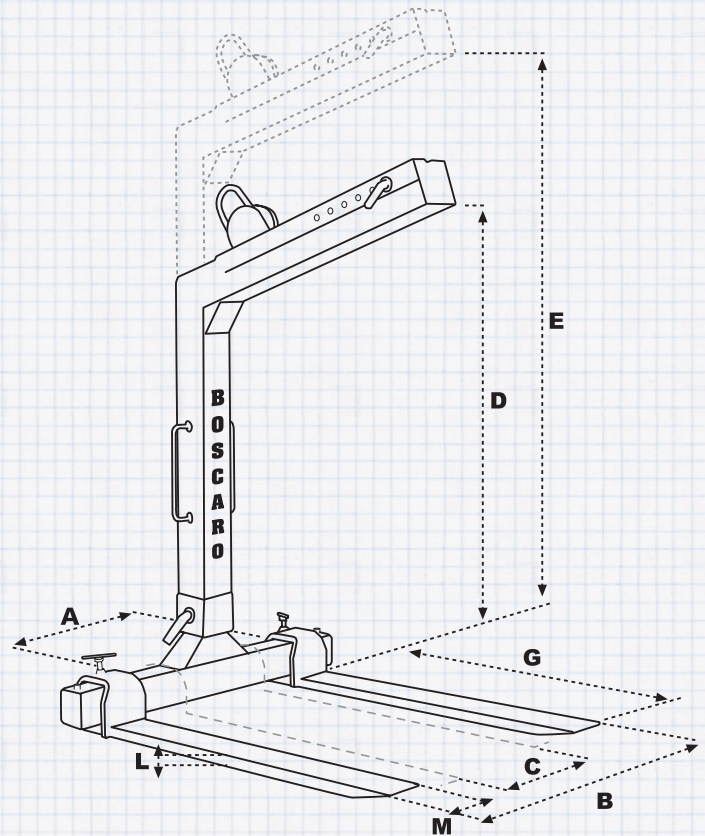
MODEL MBRA-E

KEY FEATURES

Designed and manufactured with high quality steel to ensure complete safety compliance.

Meets or exceeds all ASME standards.

Automatic adjustment with telescopic loading height.



	MODEL	CAPACITY	DIMENSIONS							WEIGHT	
			A	B	C	D	E	G	L		M
1	MBRA-15E	3,310 lb	3'1"	3'3"	1'4"	3'7"	5'5"	3'3"	0'1"	0'4"	310 lb
2	MBRA-20E	4,410 lb	3'1"	3'3"	1'4"	3'7"	5'5"	3'3"	0'1"	0'4"	340 lb

Boscaro Equipment?

✓ Designed for safety

✓ Solid construction

✓ Highly competitive

Boscaro equipment is distributed exclusively through the Eagle West Equipment dealer network.

Call 1-877-852-2192 for immediate support.

WWW.EAGLEWESTEQUIPMENT.COM