

4 Person Man Baskets



Safe. Efficient. Strong.

“The Boscaro man basket was the easy choice based on their quality and safety”

*Ed Hawthorne, Safety Manager
Walsh/PCL - Pearl Harbor Memorial Bridge Project*

RUGGED CONSTRUCTION and compliance with engineering standards are the benchmarks of all Boscaro equipment. Utilizing 30+ years of industry knowledge, Boscaro is one of the world’s leading manufacturers of crane attachments and material handling equipment.

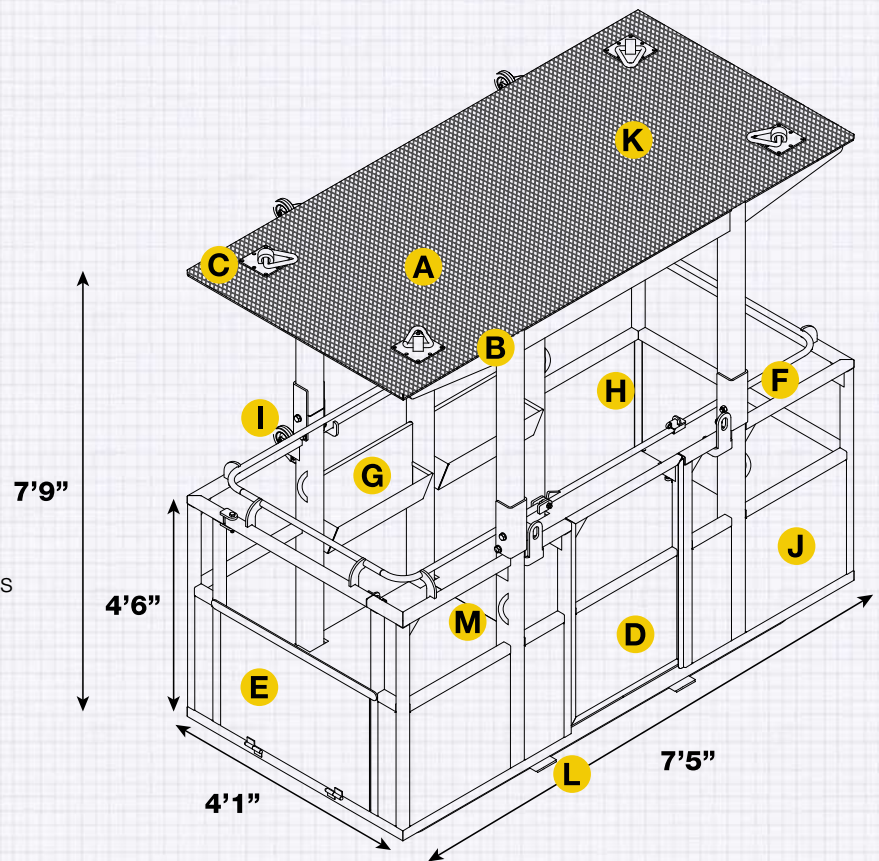
SPECIFICATIONS

- EZ™ Test Weight System for quick test weight set-up and removal
- Built to meet and/or exceed all OSHA, ASME & CSA requirements
- Tested to 9x the legal requirement
- Multiple patents pending

BOSCARO 4 PERSON MANBASKET

KEY FEATURES

- A. Removable roof for all rescue scenarios
- B. 5 upper safety connection lanyard points
- C. 4 upper & 4 lower rigging points
- D. Locking entrance gate
- E. Side ramp for stretcher access
- F. 43.5" high safety guard railing
- G. Dual 24" rescue equipment storage cribs
- H. 24" lower enclosure prevents tools from falling
- I. Swivel rollers allows safe transfer up & down walls
- J. Top grade steel construction
- K. Durable powder coated finish
- L. The EZ™ Test Weight System
- M. 4 lower safety connection lanyard points



- Meets and **exceeds** all OSHA, ASME, & CSA standards
- Tested to **9** times the legal requirements
- Bottom section: **875 lbs**
- Roof: **390 lbs**
- Test weights: **1,805 lbs**
- Capacity: **4 People (1,355 lbs)**

REQUEST A QUOTE TODAY, CALL 1-877-852-2192

Boscaro Equipment?

✓ Designed for safety

✓ Solid construction

✓ Built to save lives

Boscaro equipment is distributed exclusively through the Eagle West Equipment dealer network.

Call 1-877-852-2192 for immediate support.

WWW.EAGLEWESTEQUIPMENT.COM