

# Self Dumping Bins



Safe. Efficient. Strong.

“The best money we’ve ever spent on crane accessories”

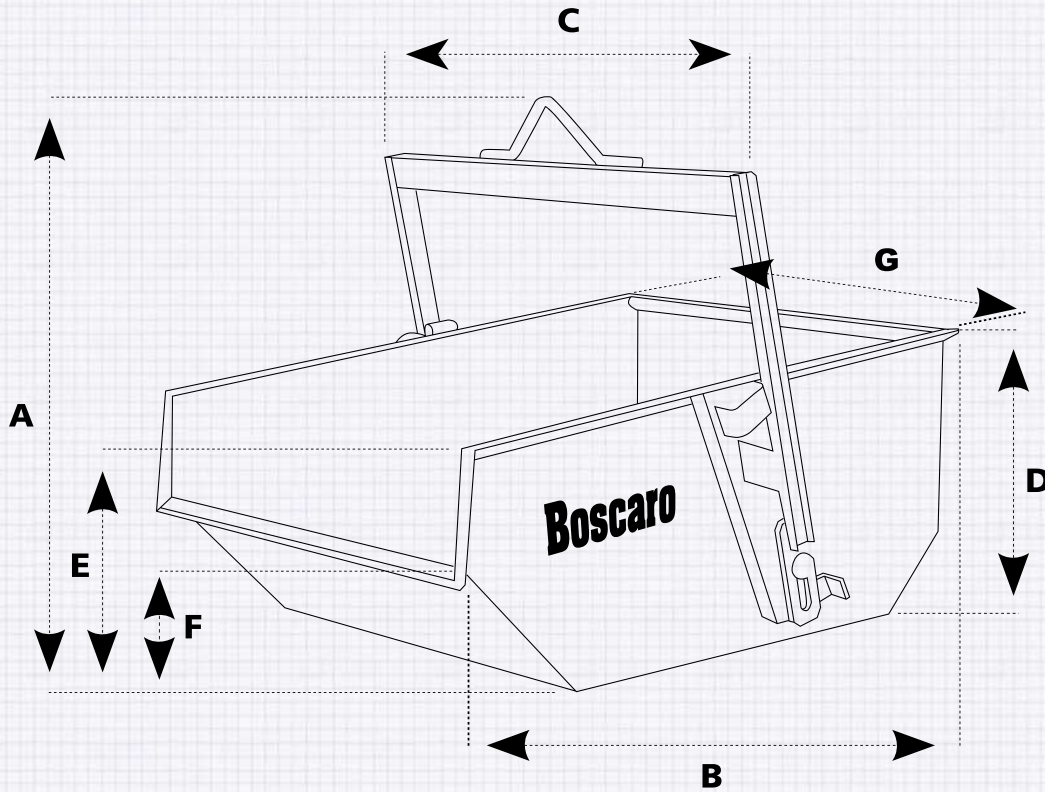
*Mike Dawson VP Specialty Crane & Rigging*

**RUGGED CONSTRUCTION** and compliance with engineering standards are the benchmarks of all Boscaro equipment. Utilizing 30+ years of industry knowledge, Boscaro is one of the world’s leading manufacturers of industrial equipment.

## **SPECIFICATIONS**

- 5 sizes to choose from
- Engineered to meet or exceed all CE & ASME standards
- Durable powder-coated finish
- Tested for safety, strength, and longevity
- 100% welded steel construction

# BOSCARO SELF DUMPING BINS



MODEL	CAPACITY	DIMENSIONS							PAYLOAD	WEIGHT
		A	B	C	D	E	F	G		
A-75D	.98 yd	3'11"	4'11"	3'10"	2'5"	2'0"	1'1"	3'7"	2,650 lb	290 lb
A-99D	1.30 yd	4'9"	5'7"	4'6"	2'9"	2'1"	1'3"	4'2"	3,530 lb	507 lb
A-150D	1.96 yd	5'1"	5'7"	4'8"	2'9"	2'9"	1'11"	4'4"	5,291 lb	661 lb
A-200D	2.61 yd	5'3"	6'7"	5'7"	3'1"	2'9"	1'3"	4'11"	7,055 lb	1,210 lb
A-300D	3.92 yd	5'7"	7'4"	6'7"	3'2"	2'9"	1'5"	5'9"	10,600 lb	1,545 lb

Boscaro Equipment?

✓ Designed for safety

✓ Solid construction

✓ Highly competitive

Boscaro equipment is distributed exclusively through the Eagle West Equipment dealer network.

Call 1-877-852-2192 for immediate support.

[WWW.EAGLEWESTEQUIPMENT.COM](http://WWW.EAGLEWESTEQUIPMENT.COM)